



DT 280 DT 290

HEADSETS WITH DYNAMIC MICROPHONE

Version		Order #
DT 280	Single-ear headphone	442.852
DT 280 V.11	as above, w/ pre-amp for mic	442.860
DT 290	Headset, standard version	442.917
DT 290 V.11	as above, w/ preamp for mic	442.925

APPLICATIONS

The lightweight, closed headsets DT 280 and DT 290 suit ideally for announcement or command purposes at broadcasting.

The headphone is featuring an efficient neodymium magnet system, a very high reproduction precision and a balanced sound. Another special feature is the wide transmission range of 10 - 30,000 Hz. The standard version comes with 80 Ω -systems. For highest reproduction precision the special version with 250 Ω -systems is available. The soft circumaural earcups and the fully adjustable padded headband offer a high wearing comfort. The dynamic microphone can be optimally positioned with the flexible gooseneck. The hypercardioid polar pattern guarantees an extremely high-gain-before feedback and noise cancellation. If necessary the assembly of the microphone holder can be changed so that the microphone can be worn on the left or right side. (In the factory it is assembled on the left side). The cables to the earcups and the microphone run safely in the headband. The connecting cable is single-sided, plug-in type with a golden combi 1/4"/mini jack plug. All parts such as earpads, headband and gooseneck microphone are easy to replace.

TECHNICAL SPECIFICATIONS

Headphone

Transducer principle. Dynamic, closed
 Transmission range 10 - 30, 000 Hz
 Nominal impedance 80 Ω (special version with 250 Ω -systems available)
 Nominal sound pressure level
 at 1 kHz. 100 dB SPL at 1 mW = 0.28 V to 80 Ω
 Nominal power rating 100 mW = 120 dB = 2.8 V to 80 Ω
 Ambient noise insulation. approx. 16 dBA
 Average pressure on ears 4.5 N
 Weight without cable approx. 168 g (DT 280), approx. 240 g (DT 290)

Microphone

	DT 280/290	DT 280 V.11/290 V.11
Transducer principle.	Dynamic	Dynamic
Transmission range	40 - 12, 000 Hz	40 - 12, 000 Hz
Polar pattern	Hypercardioid	Hypercardioid
Output voltage at a distance of 5 cm	approx. 3 mV	approx. 1.5 V
Nominal impedance	200 Ω	200 Ω
Nominal output impedance	> 1000 Ω	-
Current consumption.	-	8 - 56 mA

Germany
 Theresienstr. 8
 74072 Heilbronn
 Tel. (07131) 617-0
 Fax (07131) 60459
 info@beyerdynamic.de
 www.beyerdynamic.de

United States
 56 Central Ave.
 Farmingdale, NY 11735
 Tel. (516) 293-3200
 Fax (516) 293-3288
 salesUSA@beyerdynamic.com
 www.beyerdynamic.com

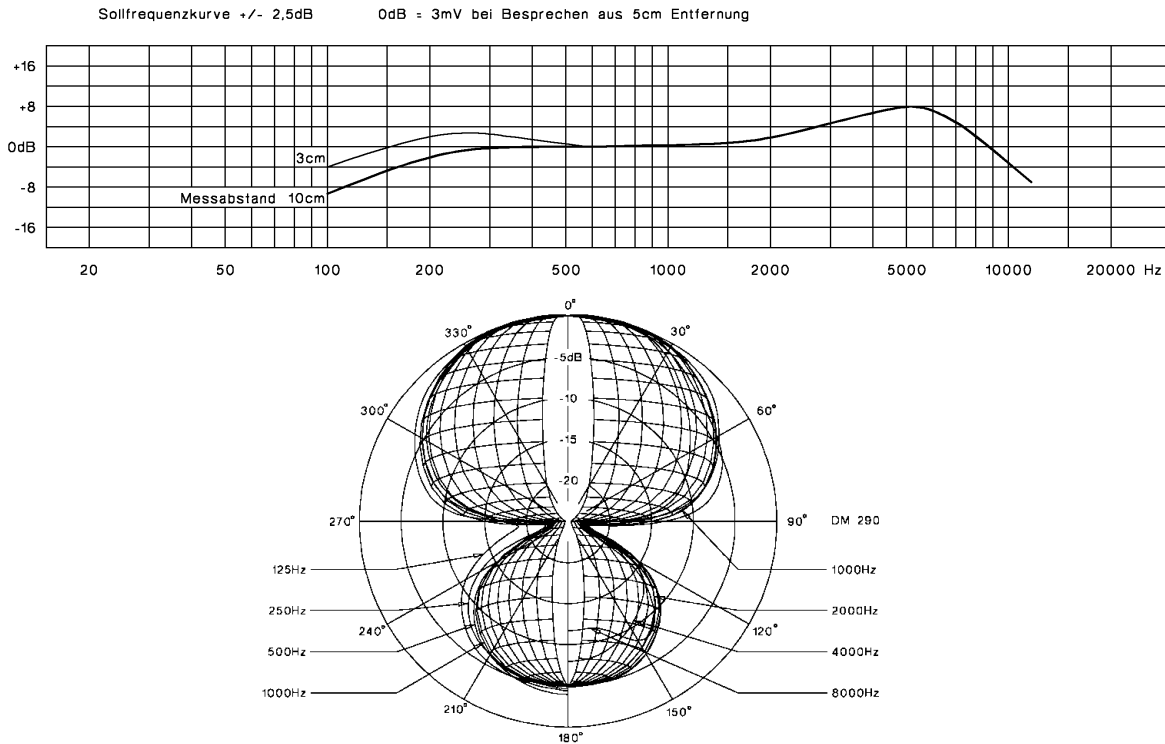
Great Britain
 17 Albert Drive
 Burgess Hill RH15 9TN
 Tel. (01444) 258 258
 Fax (01444) 258 444
 sales@beyerdynamic.co.uk
 www.beyerdynamic.com

France
 7, Rue Labie
 F-75017 Paris
 Tél. 0144.09.93.93
 Fax 0144.09.82.33
 beyer_france@compuserve.com
 www.beyerdynamic.com



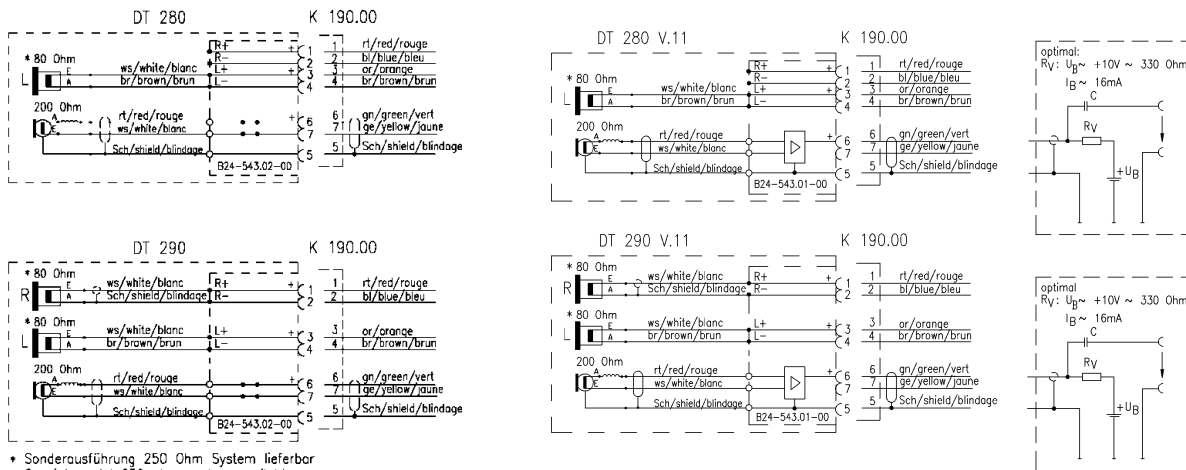
FREQUENCY RESPONSE & POLAR PATTERN

This polar pattern and frequency response curve (measuring tolerance ± 2.5 dB) correspond to typical machine run specifications for this microphone.



WIRING DIAGRAMS

Positive pressure produces positive voltage on connection 6 of the headphone socket.



SUPPLIED ACCESSORIES

- Connecting cable K 190.00 with free ends

OPTIONAL ACCESSORIES

- Ear cushions pair Order # 442.704
- Ear cushions pair made of Softskin Order # 443.549
- Connecting cable with free ends Order # 431.575

Photos are non contractual. Contents subject to change without notice. Printed in Germany